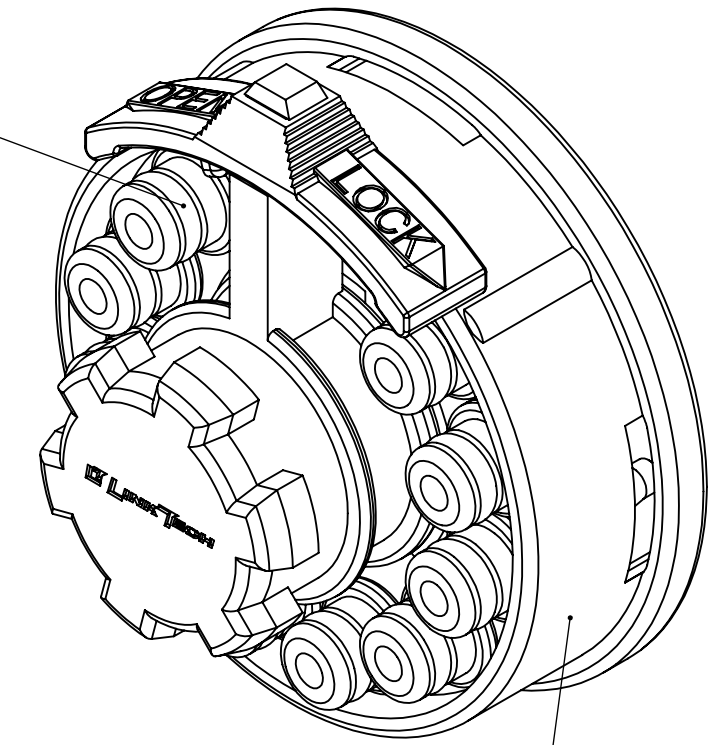
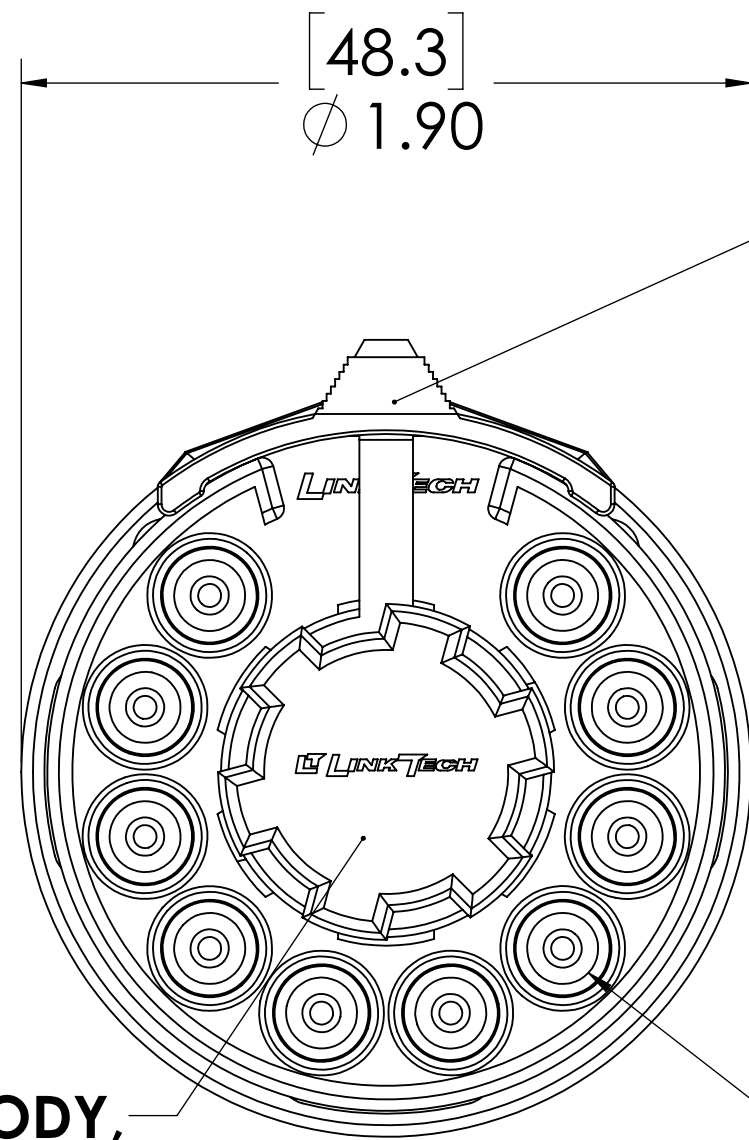


REVISIONS						
SHEET	ZONE	REV.	ECO	DESCRIPTION	DATE	APPROVED
ALL	ALL	A	50311	UPDATE DWG TO CURRENT FORMAT & STANDARDS	1/17/2020	CKE

(10X) O-RING,  
(EPDM)



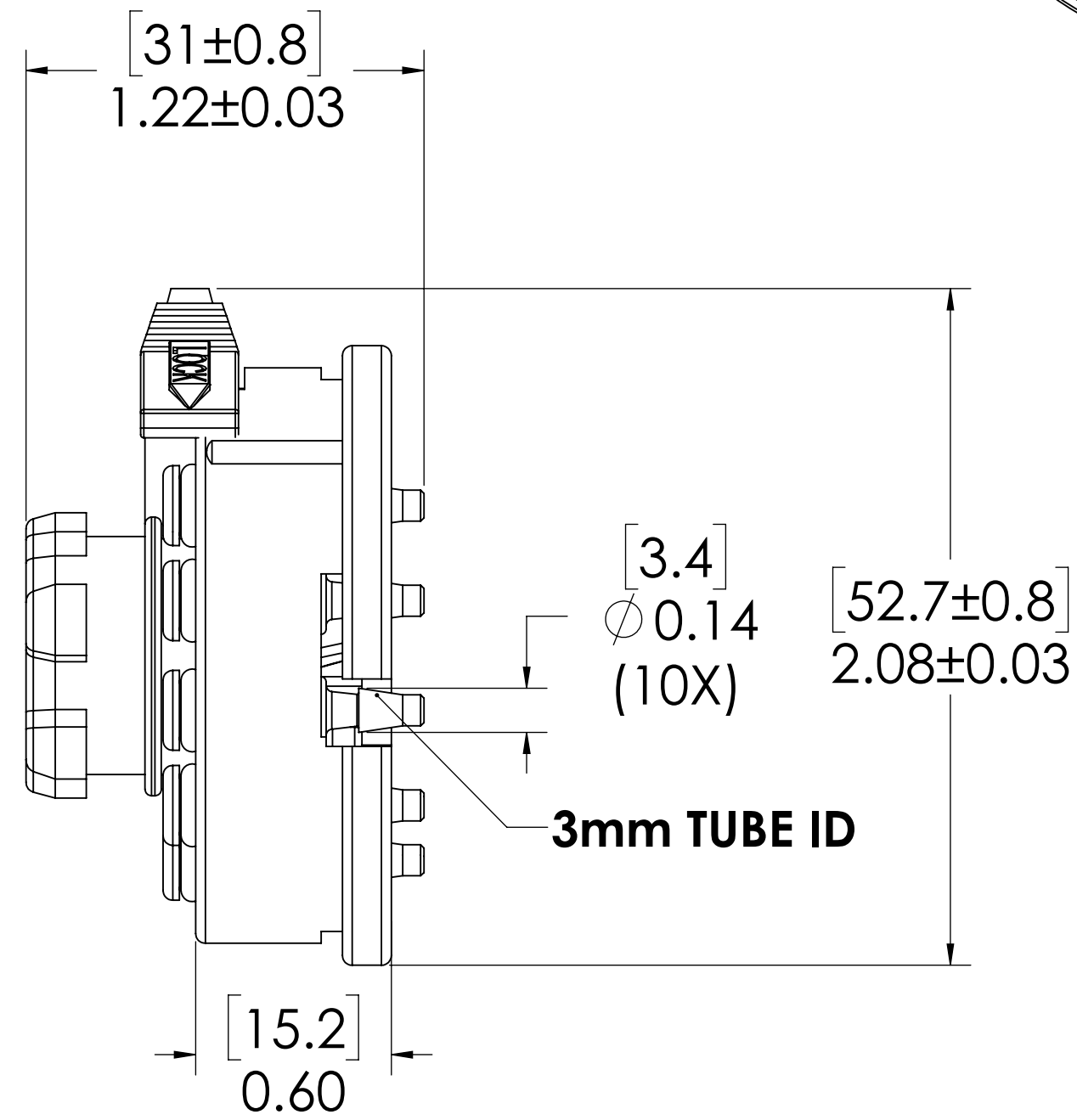
HOUSING,  
(ACETAL)



LATCH,  
(ACETAL)

LATCH BODY,  
(ACETAL)

(10X) PLUG,  
(POLYPROPYLENE)



3mm TUBE ID

**NOTES:**

1. MATERIAL: POLYPROPYLENE
2. COLOR: HOUSING-BLACK; SOCKET INSERT-ALMOND
3. O-RING MATERIAL: EPDM
4. O-RINGS LUBRICATED WITH FOOD GRADE SILICONE OIL, 350 CST.

**FOR REFERENCE ONLY**

<small>UNLESS OTHERWISE SPECIFIED: DIMENSIONS ARE IN INCHES TOLERANCES: FRACTIONAL ± 1/32 ANGULAR: MACH ± 0.5 BEND ± 2 ONE PLACE DECIMAL ± 0.1 TWO PLACE DECIMAL ± 0.01 THREE PLACE DECIMAL ± 0.005 TWO PLACE DUAL (mm) [±0.12]</small>	DRAWN	ER	11/09/17	
	CHECKED	CKE	1/6/20	
	ENG APPR.	HRC	1/17/20	
	MFG APPR.	BDB	1/17/20	
<small>PROPRIETARY AND CONFIDENTIAL THE INFORMATION CONTAINED IN THIS DRAWING IS THE SOLE PROPERTY OF LINKTECH LLC. ANY REPRODUCTION OR DISCLOSURE IN PART OR AS A WHOLE WITHOUT THE WRITTEN PERMISSION OF LINKTECH LLC IS STRICTLY PROHIBITED.</small>	Q.A.	LS	1/17/20	<b>PART NO:</b> 100PP-PE2-M3  <b>DESCRIPTION:</b> <b>LinkTech 100PP Sereis Straight Male, 3mm HB, Polypropylene</b>
<small>SCALE: NTS WEIGHT:</small>			<b>SIZE DWG. NO.</b> <b>C 100PP100024</b>	<b>REV</b> <b>A</b>
<small>SHEET 1 OF 1</small>				